

3RD ANGLE PROJECTION
DO NOT SCALE

DENOTES LATEST ISSUE CHANGES

DENOTES CRITICAL VALUE

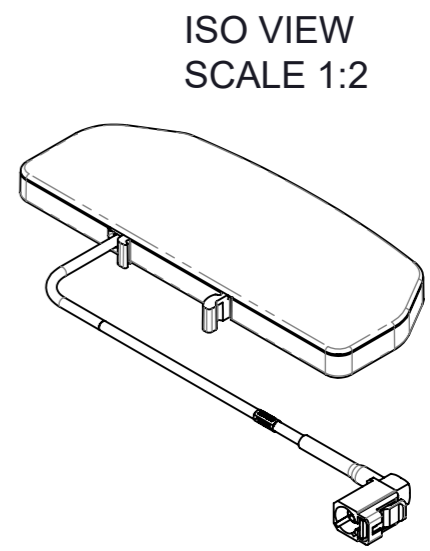
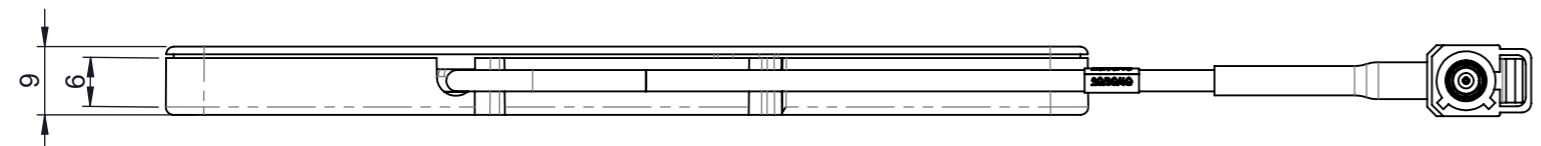
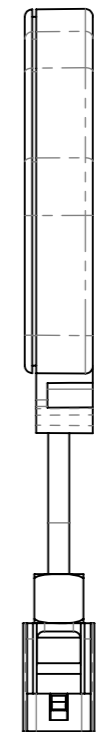
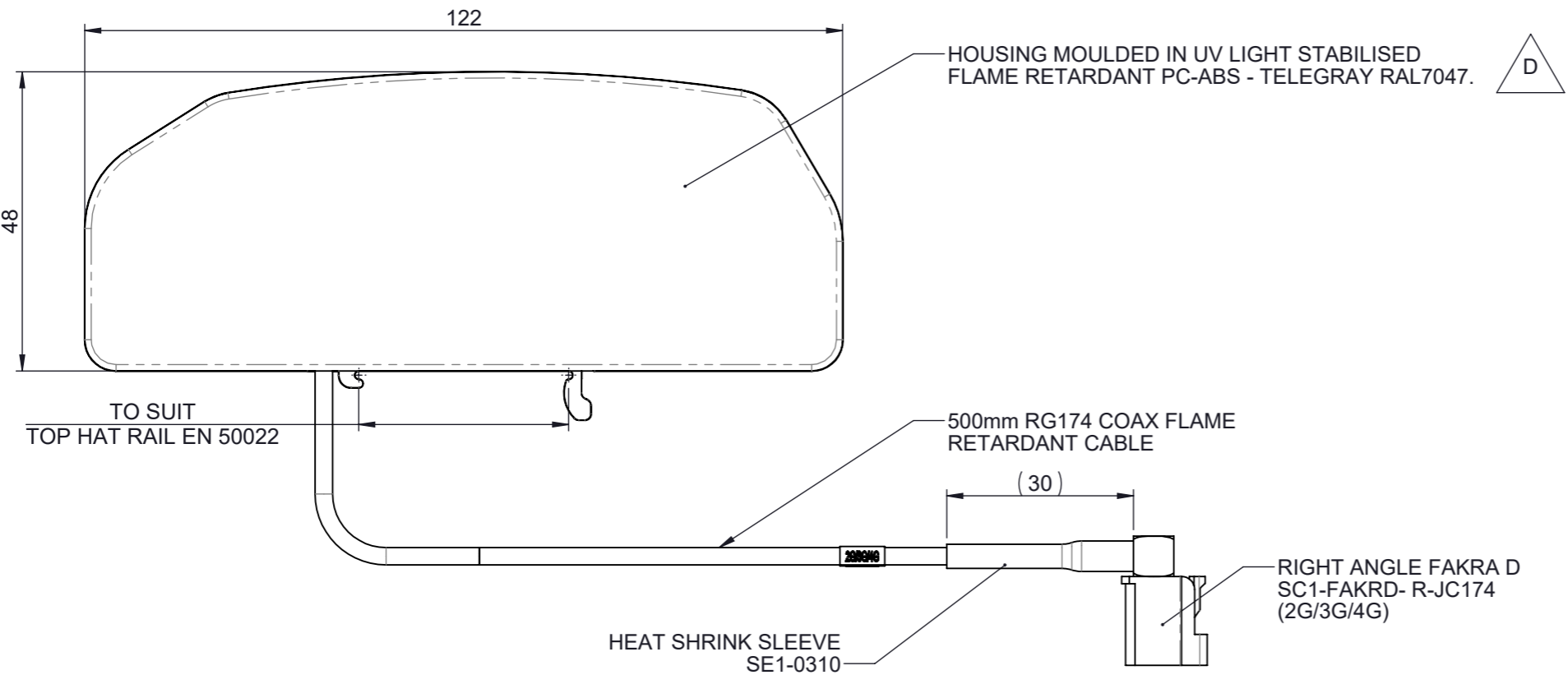
© 2016 A3 THIS DOCUMENT MUST NOT BE COPIED OR DISCLOSED TO A THIRD PARTY WITHOUT THE WRITTEN CONSENT OF PANORAMA ANTENNAS LTD.

DWG. No.

IN2216

TOLERANCES UNLESS OTHERWISE STATED			
0 DEC. PLACE	±0.5	2 DEC. PLACES	±0.1
1 DEC. PLACE	±0.2	ANGULAR	±1°

OPERATING FREQUENCY:
800-960/1710-2700 MHz



NOTES:

- SAMPLES MUST BE APPROVED BY PANORAMA ANTENNAS Q.C. BEFORE COMMENCING PRODUCTION.
- ALL MATERIALS SUPPLIED MUST BE RoHS2 (DIRECTIVE 2011/65/EU) COMPLIANT AND MUST NOT CONTAIN ANY SUBSTANCES OF VERY HIGH CONCERN (SVHCs) LISTED UNDER REACH OR POLY-AROMATIC HYDROCARBONS (PAHs), OR PERSISTENT ORGANIC POLLUTANTS (POPs) CONTROLLED BY THE STOCKHOLM CONVENTION.

PCN	REV.	DESCRIPTION	DATE	DRN.
01019	A	INITIAL ISSUE	30/05/2017	IC
01019	B	UPDATES TO 3D FILES	26/06/2017	IC
01019	C	PRODUCTION DRAWING UPDATES	25/09/2017	IC
01019	D	3D INTERNAL UPDATED NO CHANGES	13/10/2017	IC

PRODUCT/ASSEMBLY		SPECIAL PRODUCTS	
MATERIAL		N/A	
FINISH		N/A	

DESCRIPTION					RAIL MOUNT 2G/3G/4G RA FAKRADJ				
APPROVED	KD	D.O. CHECK	MM	SCALE	1:1	DIMENSIONS IN mm			