



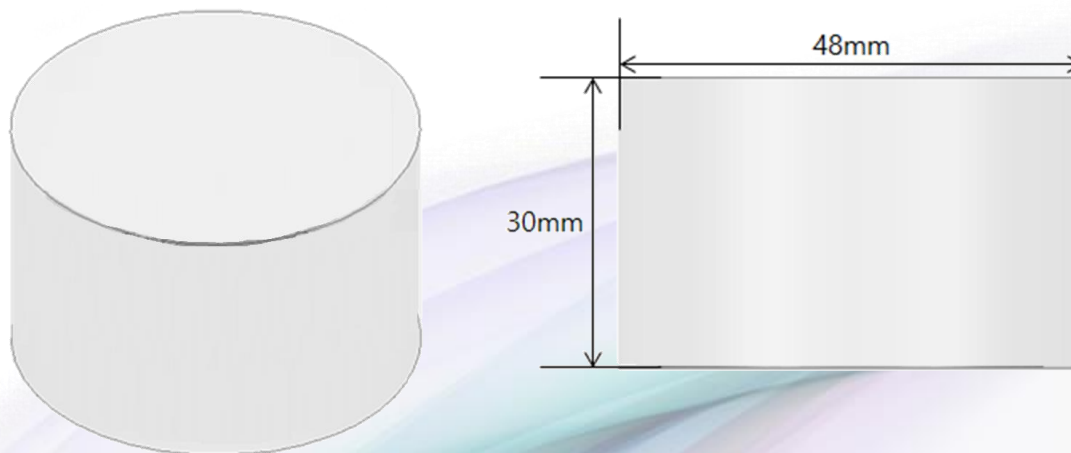
Data sheet Omni Antenna (X-band) FTS 96290

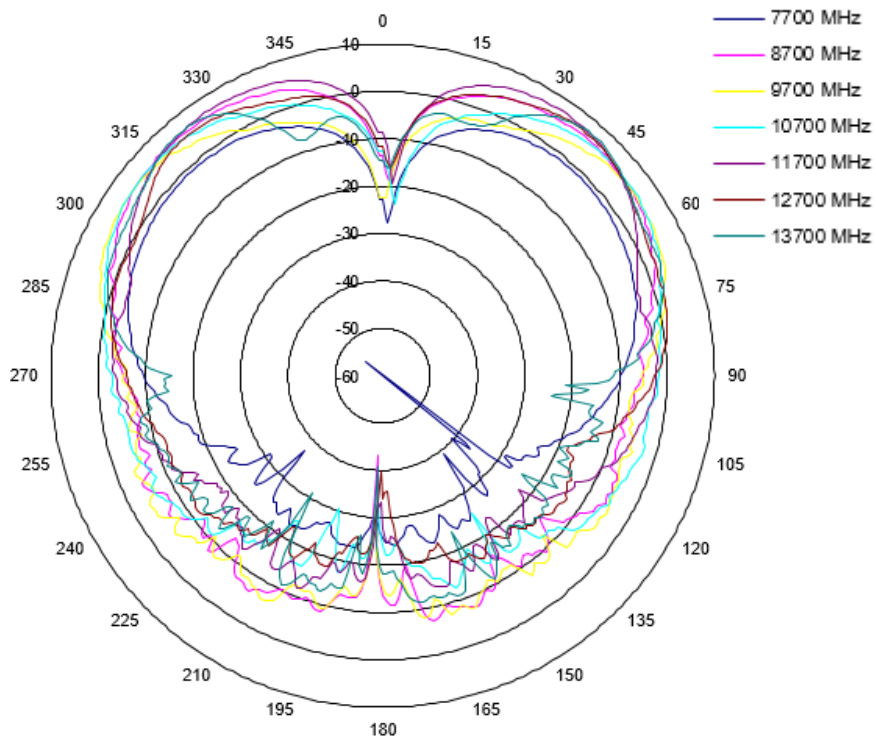


- Linearly polarized antenna
- Omni-directional antenna

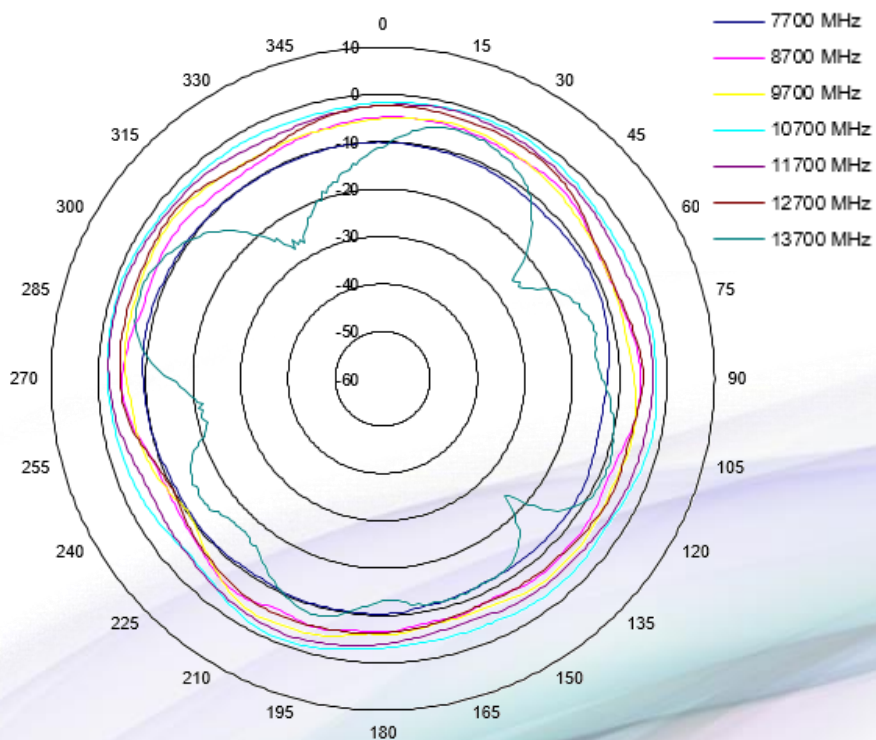
Electrical		
Frequency [GHz]	10.7~12.7	
Polarization	Linear	
Gain [dBi]	4.6 ~ 5.7	
HPBW	Vertical	-
	Horizontal	Omni
Return loss [dB]	N-type (f)	
Impedance [Ω]	50	

Mechanical	
Dimension (ϕ xH) [mm]	48 x 30
Weight [g]	80
Connector type & No.	N-type (f) x 1
Material	PC, Al
Temperature [$^{\circ}$ C]	-40 ~ 70





Vertical
(7.7~13.7 GHz)



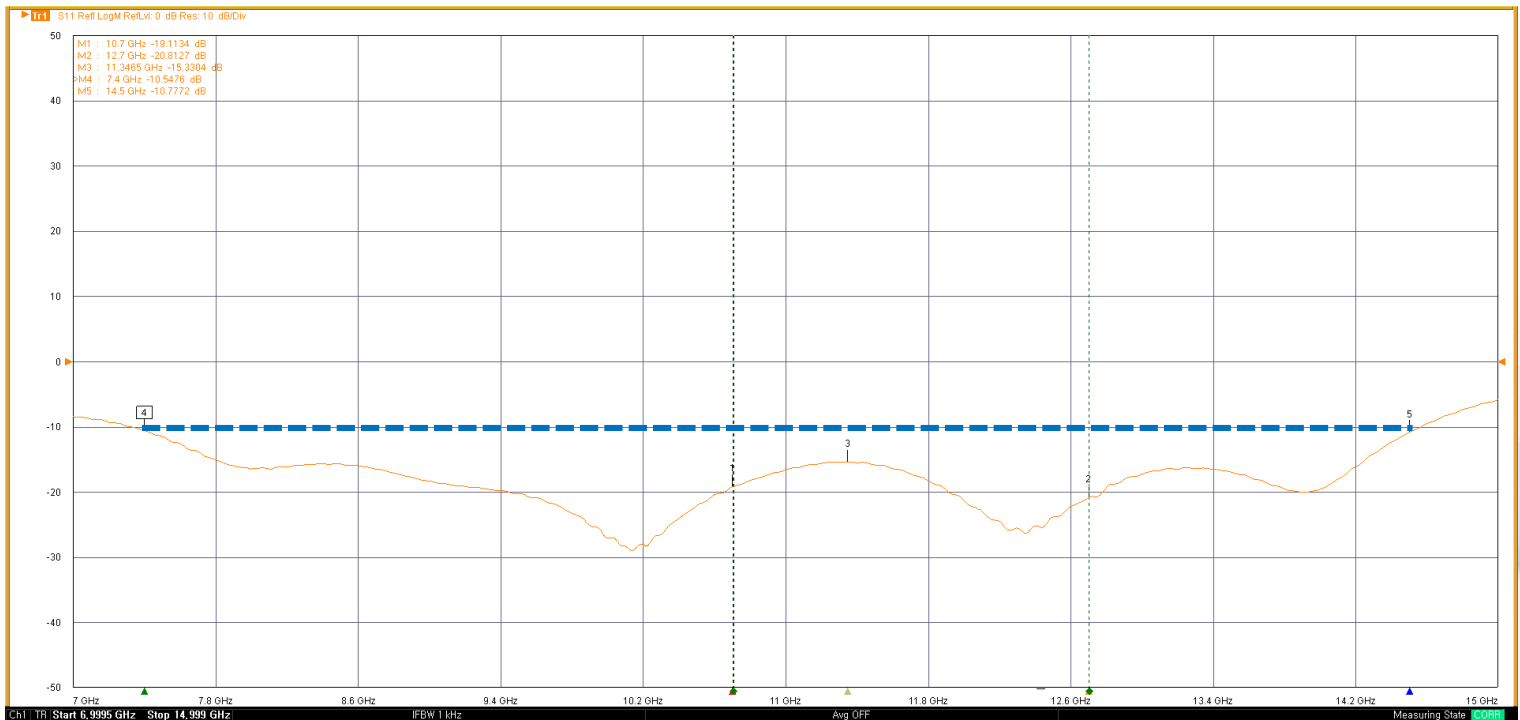
Horizontal
(7.7~13.7 GHz)

Measurement result

Frequency [GHz]	7.7	8.7	9.7	10.7	11.7	12.7	13.7
Gain [dBi]	-0.93	6.32	5.70	6.04	7.51	6.85	7.42

Gain

----- Spec. line



VSWR